



800.795.3062
ambickford.com
sales@ambickford.com

AMBICKFORD
SINCE 1974 • SAME NAME • SAME COMPANY inc.

Veterinary Anesthesia Machines

NOMENCLATURE

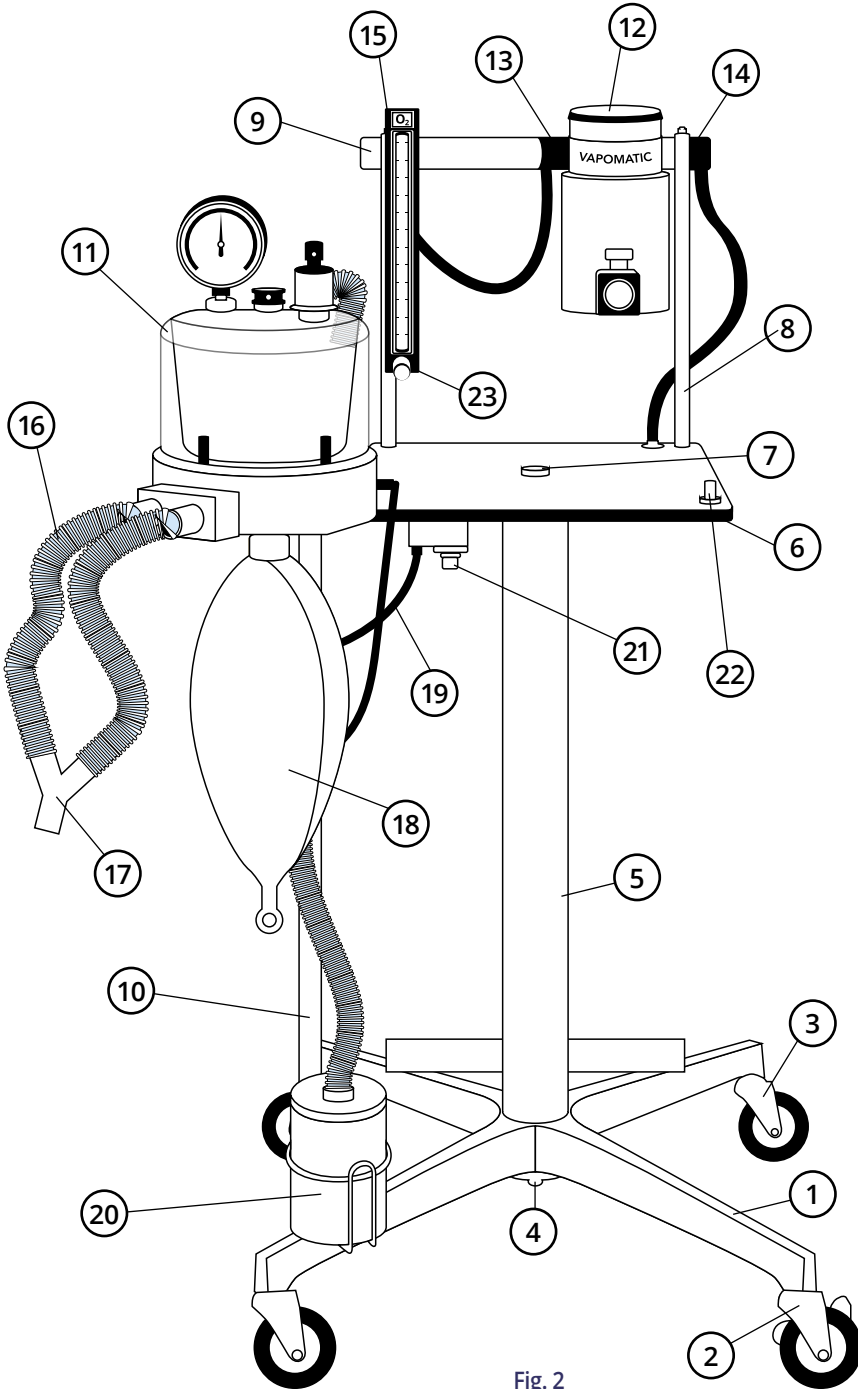


Fig. 2
Standing Veterinary
Anesthesia Machine
Nomenclature

1. **60039** Base
2. **60040** Caster with brake (2)
3. **60041** Caster (2)
4. **60042** Nut and washer
5. **60043** Center column
6. **60044** Table plate
7. **60045** Center bolt
8. **60046** Support post (2)
9. **60047** Back bar
10. **60048** Absorber mounting post
11. **60000** CO₂ absorber
12. **20010** ISO Vaporizer, or
20020 Sevo Vaporizer
13. **05502A** Inlet connection
14. **05502** Outlet connection
15. **60035** Flowmeter, or
60036 Flowmeter, or
5110F Flowmeter
16. **52019** Patient breathing circuit, or
18001 Patient breathing circuit, or
18003 Patient breathing circuit
17. **06111** Patient "Y" connector, or
06112 Patient "Y" connector
18. Breathing Bag (available in various sizes)
19. **18053** Fresh gas supply tube (cut to size)
20. **80120** F/Air waste gas canister
21. **60034** O₂ flush button
22. **60049** Ventilator mounting stud (optional)
23. **51110V** Needle valve