

SuperSorber™ Service.

So vets and pets breathe easier.

Proper absorption of CO₂ and waste gases is critical. That's why we designed and built our SuperSorber™ absorption unit to exact specifications. It's also why we are happy to service all SuperSorber™ units we sell.

The Bickford SuperSorber™

All Bickford anesthesia machines are provided with the new SuperSorber™. Our patented veterinary absorber design employs advanced engineering features that guarantee the highest degree of quality and performance.

SuperSorber™ super service from Bickford.

**See the reverse side for
SuperSorber™ parts we maintain.**

Anesthesia machines are designed to be foolproof. But they require occasional maintenance due to normal wear and routine, continuous usage. This is true of our patented SuperSorber™ unit.

With A.M. Bickford standing behind every machine we sell, vets—and their patients—will breathe easier.



A.M. Bickford products are
made in the USA.



**A
M** **BICKFORD**
SINCE 1974 • SAME NAME • SAME COMPANY inc.

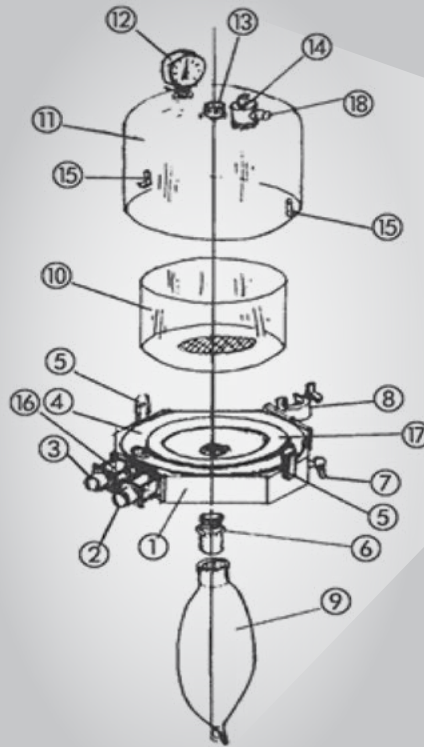
800-795-3062
ambickford.com

The Bickford SuperSorber™

We designed it. We spec'd the parts.
We built it. Let us service it.

SuperSorber™ CO₂ Absorber Nomenclature

1. 60015 Base
2. 60004 Inhalation valve
3. 60004B Exhalation valve
4. 60007 Gasket assembly
5. 60008 Toggle clamp
6. 60031 Bag adapter
7. 60053 Fresh gas supply connection
8. 60051 Mounting clamp
9. Breathing bag
10. 60002 Soda lime canister (refillable)
11. 60001 Dome housing
12. 60010 Pressure gauge pos./neg.
13. 60011 Air inlet/negative pressure relief valve
14. 80005 Pop-off valve/positive pressure relief valve
15. 60008B Hook-toggle clamp (2)
16. 60009 Glass sleeve
17. 60017 Basket gasket
18. 80005H Pop off valve housing



For fast service, ship your SuperSorber™ unit to:

A.M. Bickford, Inc.
12318 Big Tree Road
Wales Center, NY 14169-0201

To maintain your surgical schedule ask
about our SuperSorber™ Loaner Program
(shipping charges will apply).

And trust Vapomatic™ calibration service to the family who built it!

Contact us today.



A M BICKFORD
SINCE 1974 • SAME NAME • SAME COMPANY inc.

800-795-3062
ambickford.com