



## RIKEN FI-8000P

### Portable Gas Indicator

FOR ANESTHETIC VAPORIZER CALIBRATION

01 SIMPLE  
TO USE

02 RAPID  
ANALYSIS

03 NO  
CONVERSION  
FACTORS

The Riken FI-8000P is a portable, light weight solution for the measurement of anesthetic gas concentration. Ideally suited for accurately and quickly checking the calibration of anesthetic vaporizers. With the advantage of direct digital readout, the FI-8000P will make all adjustments and conversion factors automatically for these anesthetic gases:

Halothane • Sevoflurane • Isoflurane • Desflurane

To order the Riken FI-8000P Portable Gas Indicator, or to request a price quote call 800-795-3062 or email [sales@ambickford.com](mailto:sales@ambickford.com)

**SPECIFICATIONS**

Measuring gas	O <sub>2</sub> base: Halothane, Isoflurane, Sevoflurane, Desflurane Air base: Halothane, Isoflurane, Sevoflurane, Desflurane				
Measuring ranges	The number in ( ) is the minimum digit. [Unit: vol%]				
	Base gas \ Measuring gas	Halothane	Isoflurane	Sevoflurane	Desflurane
	O <sub>2</sub> base	0~6 (0.01)	0~8 (0.01)	0~10 (0.01)	0~20 (0.02)
Air base	0~6 (0.01)	0~8 (0.01)	0~10 (0.01)	0~20 (0.02)	
Measuring principle	Optical interferometric type				
Sampling Method	Automatic draw-in by built-in pump				
Self-diagnosis function	Low battery voltage, low UV intensity, low contrast, abnormal pressure, abnormal temperature				
Display	LCD digital display (7-segment numeric display + symbol + 20-segment character display x 2 lines)				
Displays	Gas concentration, gas name, measuring range, battery level				
Power supply	Alkaline battery unit (AA alkaline dry battery x 3) (standard) or lithium ion battery unit (option)				
Indication accuracy	Within ± 3% of the reading value ± 1 digit (Air base)				
Use temperature/humidity range	Temperature range: -20 -50°C, humidity range: Below 95% RH (Non-condensing)				
External dimensions	Approx. 154 (W) x 127 (H) x 81 (D) (mm)				
Weight	Approx. 1.1 kg (alkaline battery unit included) Approx. 1.2 kg (lithium ion battery unit included)				
Continuous operating time	12 hours or more (alkaline battery unit) 18 hours or more (lithium ion battery unit) (without lighting at 25°C)		16 hours or more (alkaline battery unit) 24 hours or more (lithium ion battery unit) (without lighting at 25°C)		
External output	IrDA (for data logger)				
Functions	Data logger, pressure correction, temperature correction				

**RIKEN ACCESSORIES**



Sample T  
Product # 18011



Standard  
Sample Tube  
Product #40185ST

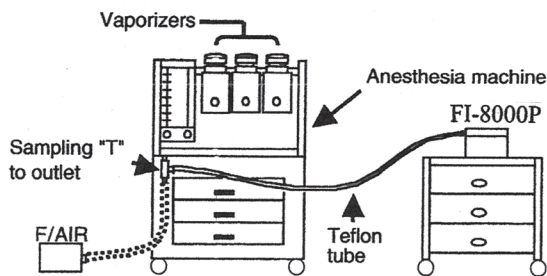


Absorption Tube  
Product #40185



Filter Tube  
Product #40185SFT

**[Composition]**

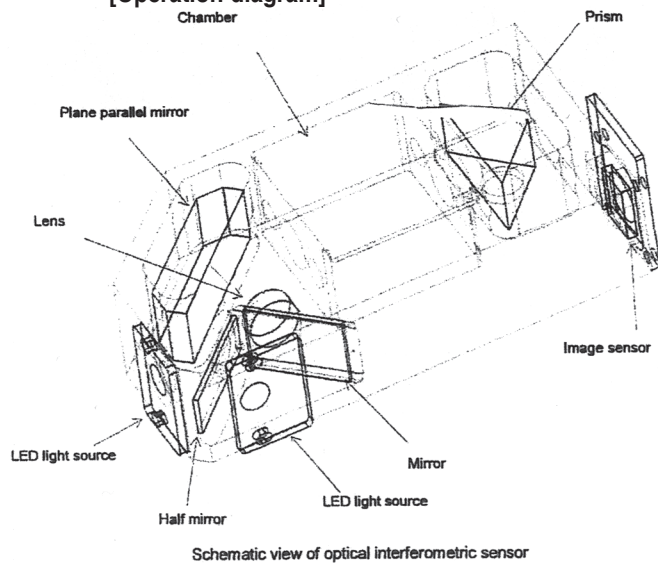


Manufactured by:

**RIKEN KEIKI Co., Ltd.**  
2-7-6, Azusawa, Itabashi-ku, Tokyo 174-8744, Japan

Represented in American Countries by:

**[Operation diagram]**



12318 Big Tree Road  
Wales Center, NY 14169  
www.ambickford.com

Tel: 716-652-1590  
Toll Free: 1-800-795-3062  
Fax: 716-652-2046

Email us at: sales@ambickford.com