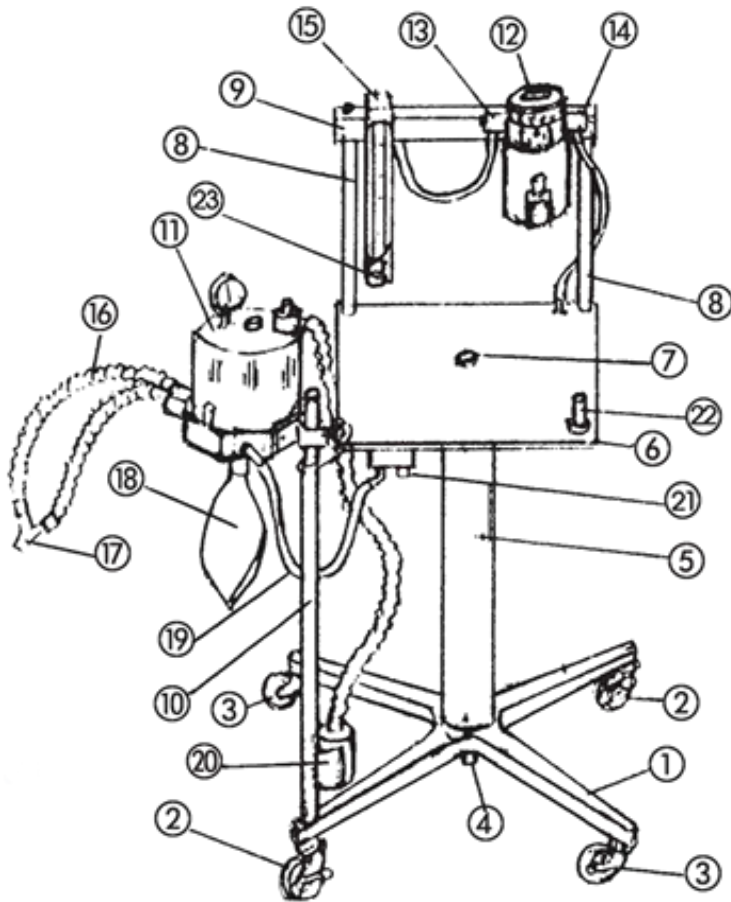


# Anesthesia Machine

## Parts & Diagram



### Anesthesia Machine

1. 60039 Base
2. 60040 Caster with brake (2)
3. 60041 Caster (2)
4. 60042 Nut and washer
5. 60043 Center column
6. 60044 Table plate
7. 60045 Center bolt
8. 60046 Support post (2)
9. 60047 Back bar
10. 60048 Absorber mounting post
11. 60000 CO2 absorber
12. 20010 ISO, 20020 Sevo, Vaporizer
13. 05502A Inlet connection
14. 05502 Outlet connection
15. 60035, 60036 or 5110F Flowmeter
16. 52019, 18001, 18003 Patient breathing circuit
17. 06111 or 06112 Patient "Y" connector
18. Breathing bag
19. 18053 Fresh gas supply tube (cut to size)
20. 80120 F/Air waste gas canister
21. 60034 O2 flush button
22. 60049 Mounting stud for ventilator (optional)
23. 51110V Needle Valve

A.M. Bickford, Inc

(716) 652-1590

Fax: (716) 652-2046

Toll Free 1-800-795-3062

Email: [sales@ambickford.com](mailto:sales@ambickford.com)

Website: [www.ambickford.com](http://www.ambickford.com)

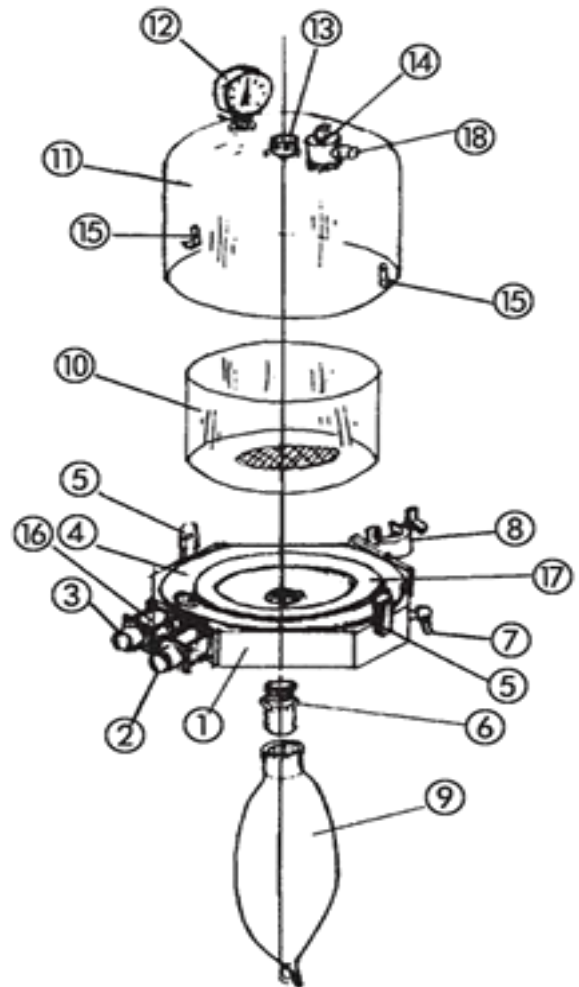
# SuperSorber™

## Parts & Diagram

Supersorber™

Supersorber CO2 Absorber Nomenclature

1. 60015 Base
2. 60004 Inhalation valve
3. 60004B Exhalation valve
4. 60007 Gasket assy.
5. 60008 Toggle clamp
6. 60031 Bag adapter
7. 60053 Fresh gas supply connection
8. 60051 Mounting clamp
9. Breathing bag
10. 60002 Soda lime canister (refillable)
11. 60001 Dome housing
12. 60010 Pressure gauge Pos./Neg.
13. 60011 Air inlet/Negative pressure relief valve
14. 80005 Pop-off valve/Positive pressure relief valve
15. 60008B Hook-toggle clamp (2)
16. 60009 Glass Sleeve
17. 60017 Basket Gasket
18. 80005H Pop off valve housing



A.M. Bickford, Inc (716) 652-1590 Fax: (716) 652-2046 Toll Free 1-800-795-3062

Email: [sales@ambickford.com](mailto:sales@ambickford.com)

Website: [www.ambickford.com](http://www.ambickford.com)